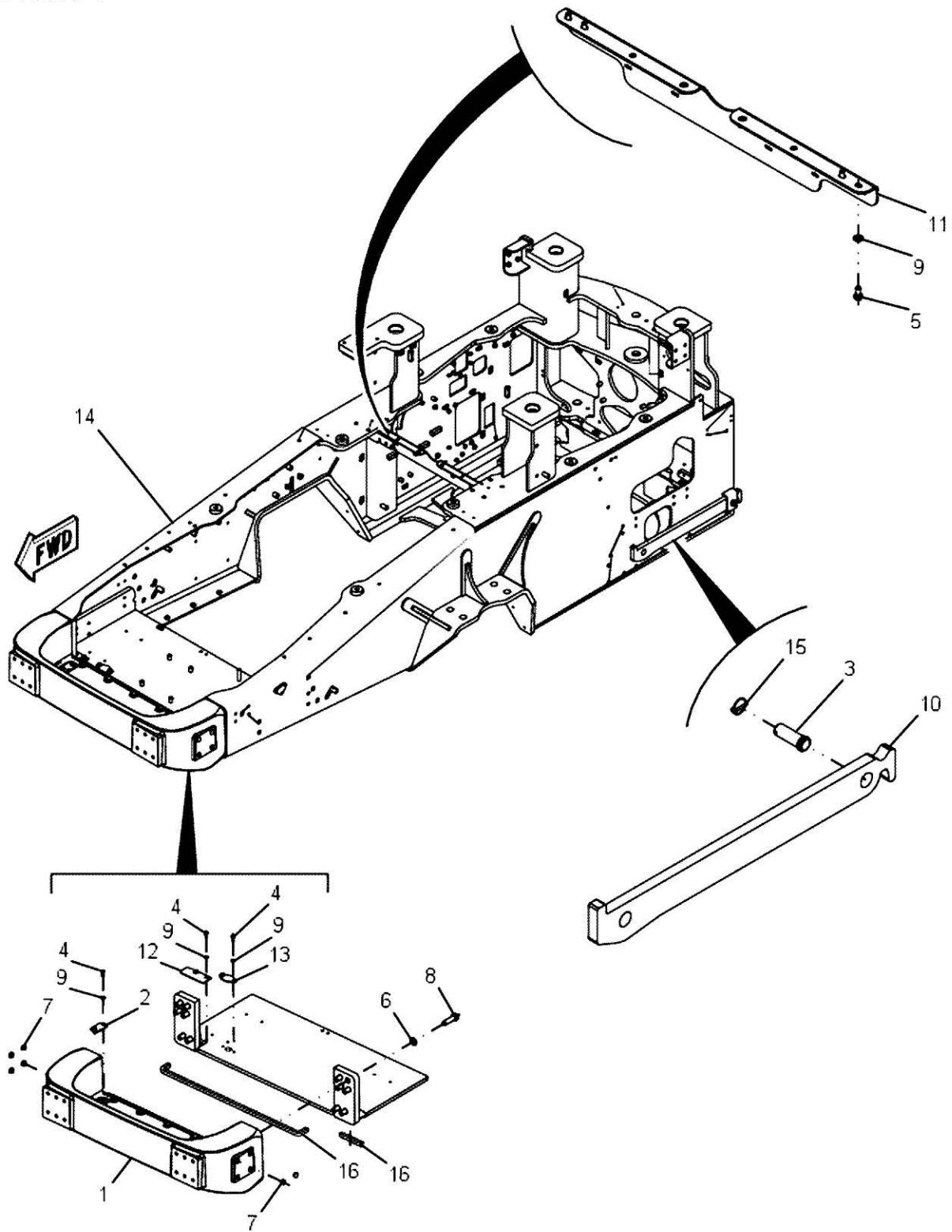


570140D3 - FRAME GROUP, FRONT	03-0001
584042D1 - FRAME GROUP, FRONT - 2016	03-0002
574051D1 - FRAME GROUP, CENTER	03-0003
578970D1 - FRAME GROUP, REAR - FUEL TANK	03-0004
550049D2 - ENGINE MOUNTING GROUP	03-0005
509015D1 - CAB MOUNTING GROUP, BASIC	03-0006
557005D1 - TRANSMISSION MOUNTING GROUP	03-0007

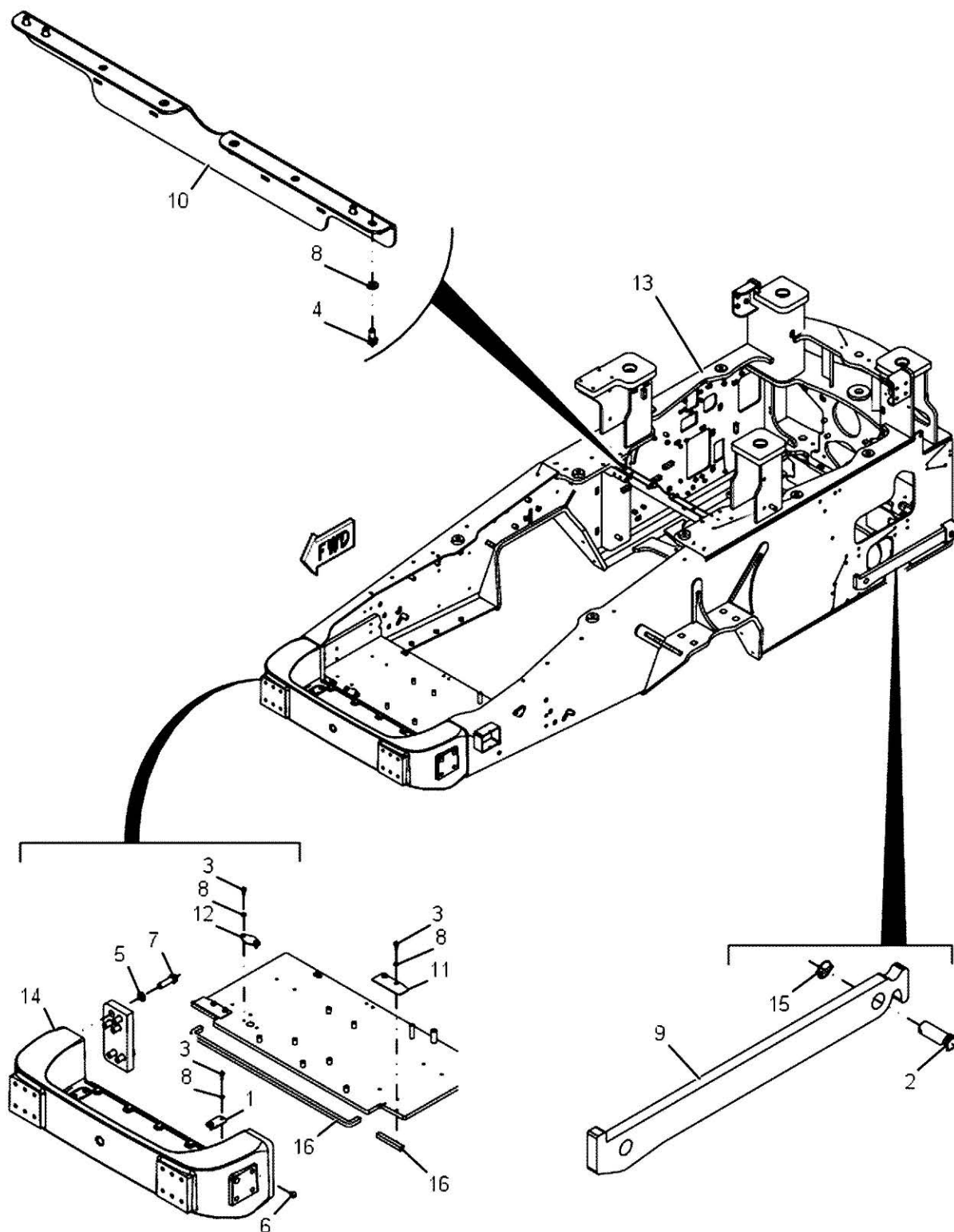
570140D3-4



570140D3 - FRAME GROUP, FRONT

ITEM	PART NUMBER	QTY	DESCRIPTION COMMENTS	TECHNICAL SPECIFICATION
1	209-1366	1	SUPPORT	
2	209-6295	2	SCREEN	
3	AG602132	1	CLEVIS PIN	1"X 2-5/8"
4	400039X1	10	HEXAGONAL HEAD BOLT	M10 X 1.5 X 25MM, CL10.9
5	400040X1	4	HEXAGONAL HEAD BOLT	M10 X 1.5 X 20MM, CL10.9
6	400081X1	12	FLAT WASHER	26MM X 44MM X 4MM
7	400091X1	6	PROTECTIVE PLUG	M24
8	400134X1	12	BOLT	
9	400287X1	14	FLAT WASHER	11MM X 21MM X 2.5MM
10	553393D1	1	LOCKLINK	
11	565967D1	1	SUPPORT ANGLE	
12	565972D2	2	PLATE	
13	567997D2	1	PLATE	
14	578686D2	1	FRONT FRAME	MT900
15	CH5D-8159	1	LYNCH PIN CLIP	3/16"
16	CH5P-5727	15	SEAL	

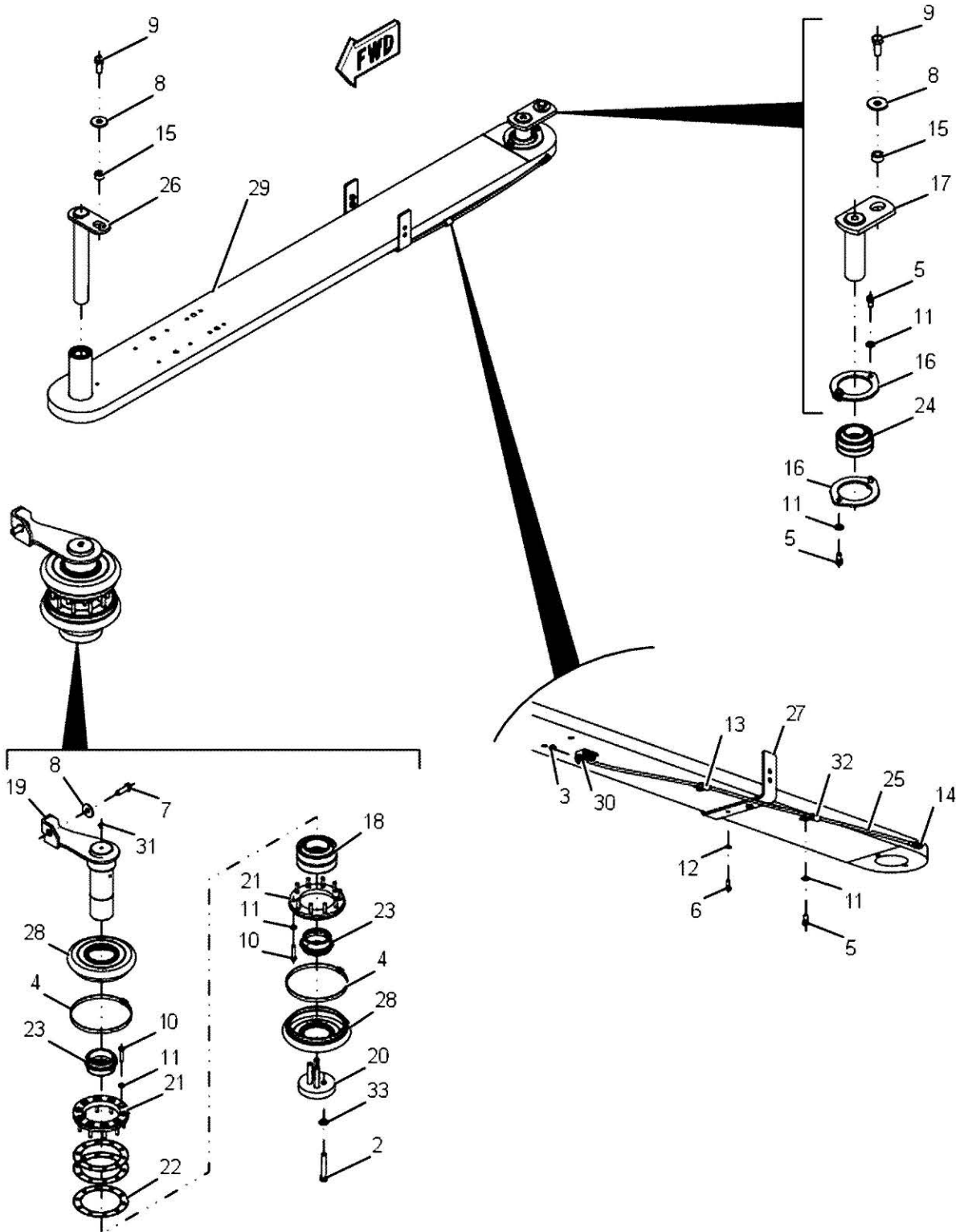
584042D1-3



584042D1 - FRAME GROUP, FRONT - 2016

ITEM	PART NUMBER	QTY	DESCRIPTION COMMENTS	TECHNICAL SPECIFICATION
1	209-6295	2	SCREEN	
2	AG602132	1	CLEVIS PIN	1"X 2-5/8"
3	400039X1	10	HEXAGONAL HEAD BOLT	M10 X 1.5 X 25MM, CL10.9
4	400040X1	4	HEXAGONAL HEAD BOLT	M10 X 1.5 X 20MM, CL10.9
5	400081X1	12	FLAT WASHER	26MM X 44MM X 4MM
6	400091X1	6	PROTECTIVE PLUG	M24
7	400134X1	12	BOLT	
8	400287X1	14	FLAT WASHER	11MM X 21MM X 2.5MM
9	553393D1	1	LOCKLINK	
10	565967D1	1	SUPPORT ANGLE	
11	565972D2	2	PLATE	
12	567997D2	1	PLATE	
13	578686D3	1	FRONT FRAME	MT900
14	584043D1	1	FRONT SUPPORT	
15	CH5D-8159	1	LYNCH PIN CLIP	3/16"
16	CH5P-5727	"143,1cm"	SEAL	

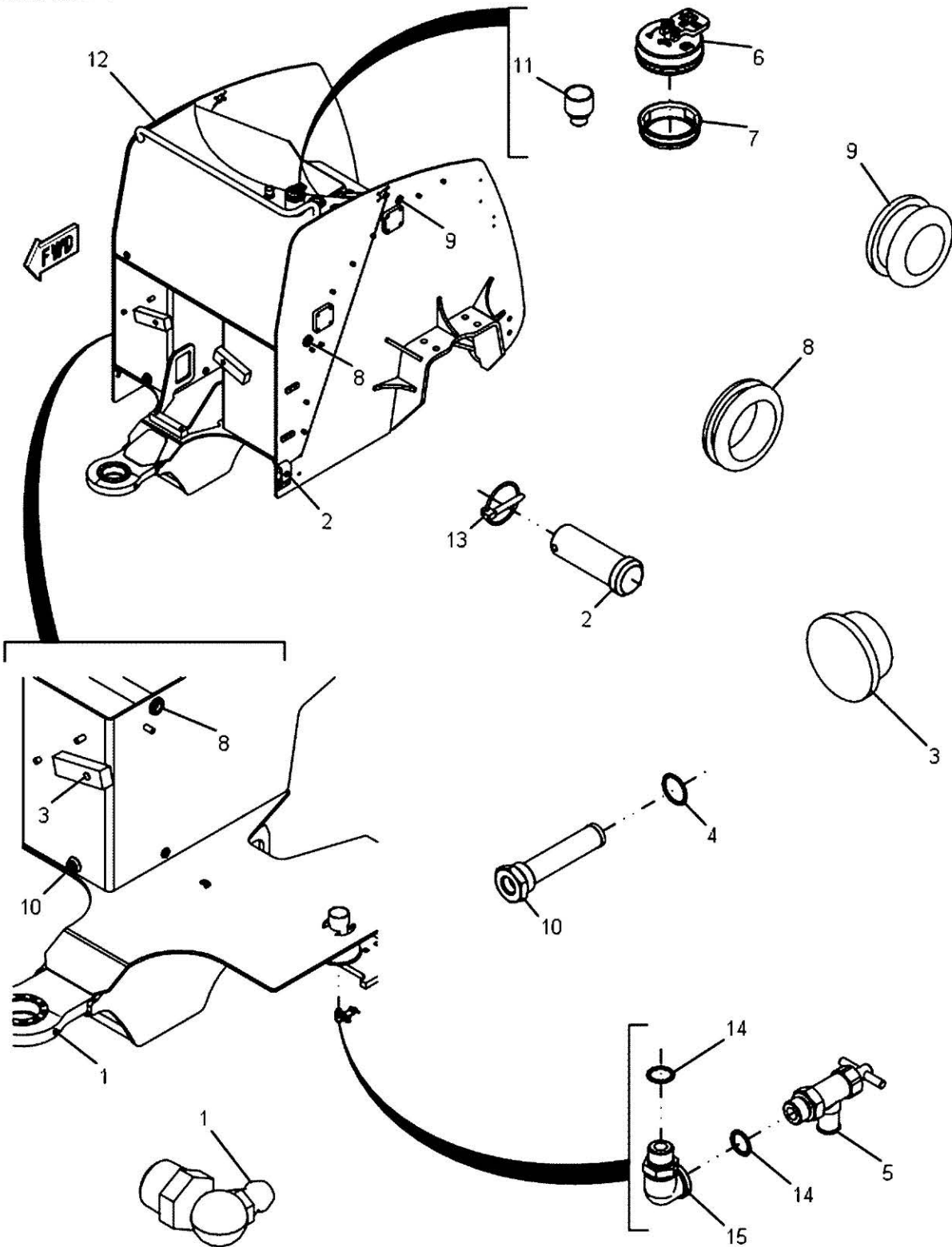
574051D1-4



574051D1 - FRAME GROUP, CENTER

ITEM	PART NUMBER	QTY	DESCRIPTION COMMENTS	TECHNICAL SPECIFICATION
2	AG517438	4	BOLT	
3	AG561826	1	GREASE FITTING	1/4"-28, 90D
4	AG562168	2	HOSE CLAMP	
5	400040X1	8	HEXAGONAL HEAD BOLT	M10 X 1.5 X 20MM, CL10.9
6	400053X1	2	HEXAGONAL HEAD BOLT	M8 X 1.25 X 20MM, CL10.9
7	400056X1	1	HEXAGONAL HEAD BOLT	M16 X 2 X 50MM, CL10.9
8	400078X1	3	FLAT WASHER	16.5MM X 50MM X 5MM
9	400191X1	2	HEXAGONAL HEAD BOLT	M16 X 2 X 40MM, CL 10.9
10	400226X1	20	HEXAGONAL HEAD BOLT	M10 X 1.5 X 50MM 10.9
11	400287X1	28	FLAT WASHER	11MM X 21MM X 2.5MM
12	400339X1	2	FLAT WASHER	9MM X 16MM X 2MM
13	400621X1	1	P-CLIP	12.7MM ID
14	401219X1	1	ELBOW FITTING	1/8"-27 S NPT X 1/8"-27 NPT
15	402099X1	2	SPACER	28.5ODX16.25IDX13.5MM
16	511445D1	2	BEARING RETAINER	
17	570102D1	1	PIN	50MM DIA X 158MM
18	570103D1	1	SPHERICAL BEARING	83MM X 140MM X 83MM
19	570109D1	1	PIN	265MM
20	570112D1	1	PLATE	
21	570113D1	2	BEARING RETAINER	
22	570115D1	1	SHIM	.127MM
23	570127D1	2	SPACER	4-3/4" OD X 3/4" WL
24	573086D1	1	SPHERICAL BEARING	50MM X 90MM X 36MM
25	573409D1	1	GAUGE PLATE	1295MM
26	573530D1	1	PIN	44MM DIA X 310MM
27	573810D1	1	HOSE GUIDE	
28	573958D1	2	SEAL	
29	NS	1	NON-SERVICEABLE PART SEE PAGE 12-0039	
30	575300D1	1	ANGLE BRACKET	
31	AG559083	1	GREASE FITTING	1/8" NPT, 90 DEG
32	CH4D-9517	1	P-CLIP	12.7MM ID
33	CH8T-4122	4	FLAT WASHER	17MM X 32MM X 3.5MM

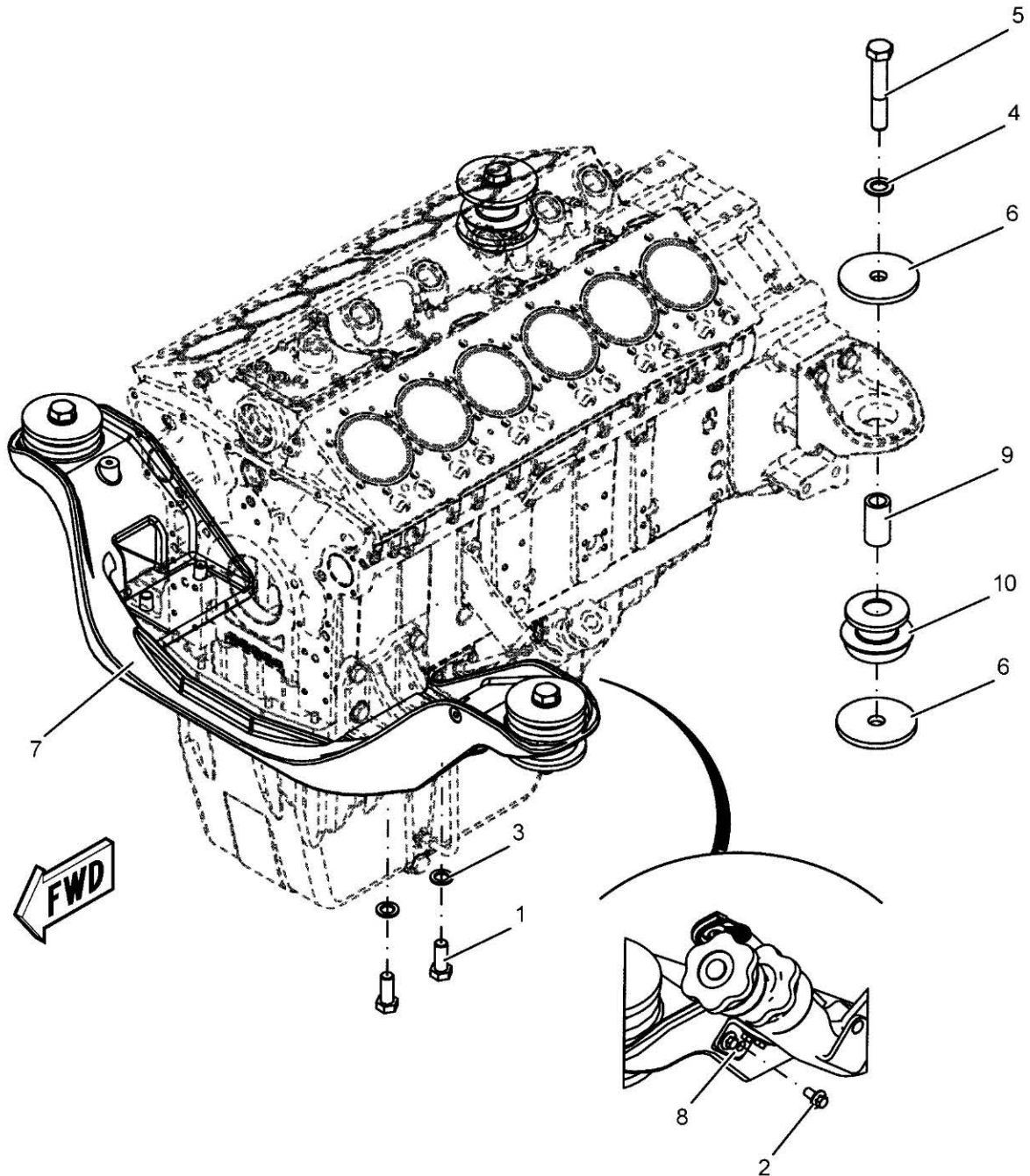
578970D1-1-



578970D1 - FRAME GROUP, REAR - FUEL TANK

ITEM	PART NUMBER	QTY	DESCRIPTION COMMENTS	TECHNICAL SPECIFICATION
1	AG559083	1	GREASE FITTING	1/8" NPT, 90 DEG
2	AG602132	1	CLEVIS PIN	1"X 2-5/8"
3	400091X1	2	PROTECTIVE PLUG	M24
4	400376X1	1	O-RING	29.74MM ID X 2.95MM
5	401347X1	2	NEEDLE VALVE	
6	500019D1	1	FUEL CAP	2-WAY VENT
	500143D1	1	FILTER KIT	
	500277D1	1	SEAL	
7	508737D1	1	INSERT	
8	518344D1	4	GROMMET	38.5MM ID X 44.5MM OD X 6.5MM
9	518345D1	1	GROMMET	32MM ID X 40MM OD X 12.5MM
10	536234D1	1	STRAINER	SUCTION
11	547856D1	1	BREATHER	12 PORT 2 MICRON
12	578969D1	1	REAR FRAME	MT900
13	CH5D-8159	1	LYNCH PIN CLIP	3/16"
14	CH8L-2786	4	O-RING SEAL	16.36 X 2.21
15	CH8T-0119	2	ELBOW	3/4" STOR X NO. 8 PORT

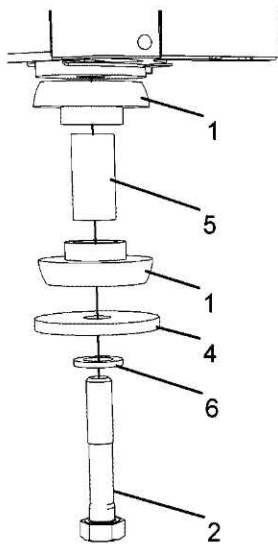
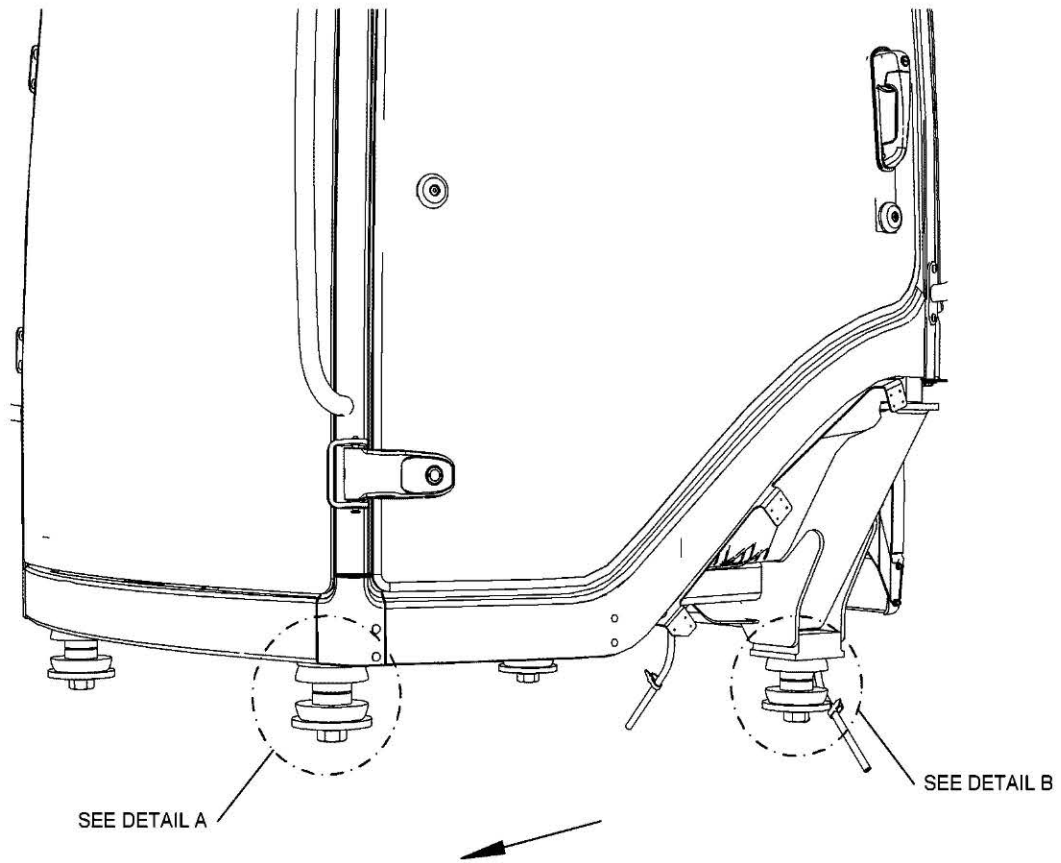
550049D2-3-AA485-



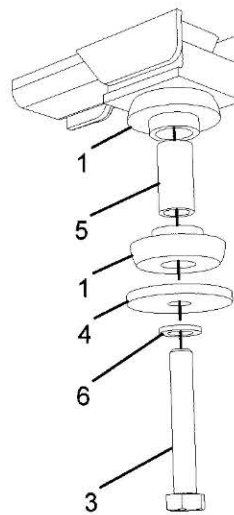
550049D2 - ENGINE MOUNTING GROUP

ITEM	PART NUMBER	QTY	DESCRIPTION COMMENTS	TECHNICAL SPECIFICATION
1	AG691157	4	BOLT	
2	3009192X1	2	HEXAGON FLANGE BOLT	M8 X 16 (1.25) CL10.9 ZN
3	400080X1	4	FLAT WASHER	22MM X 35MM X 3.5MM
4	400081X1	4	FLAT WASHER	26MM X 44MM X 4MM
5	400229X1	4	HEXAGONAL HEAD BOLT	M24 X 3 X 140MM, CL10.9
6	400366X1	8	O-RING	22.5MM OD X 1.78MM
7	560694D2	1	ENGINE MOUNT	
8	574114D1	1	ANGLE BRACKET	
9	CH3E-4883	4	SLEEVE	
10	CH9W-9930	4	INSULATION	

509015D1-01-M870



DETAIL A

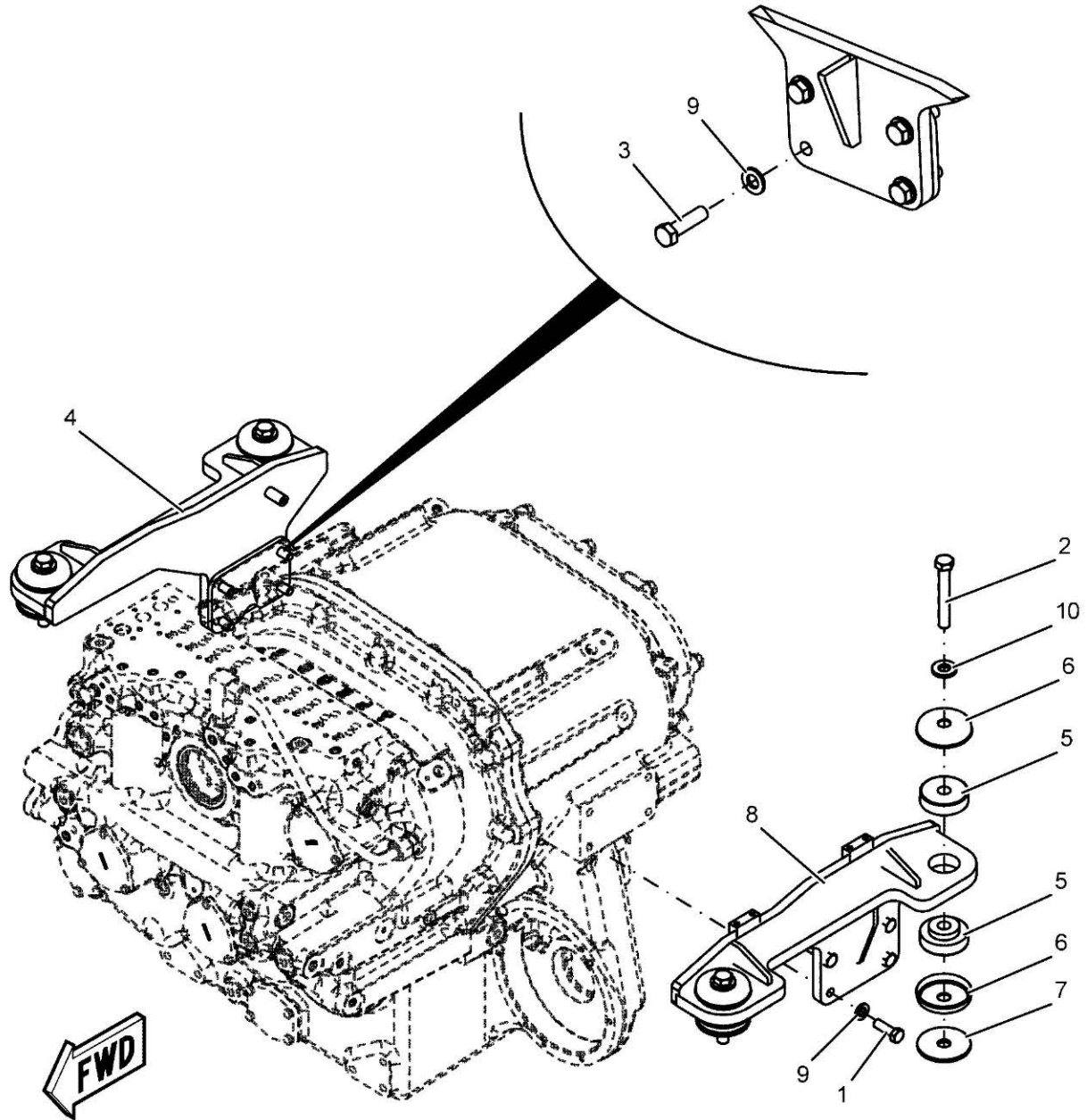


DETAIL B

509015D1 - CAB MOUNTING GROUP, BASIC

ITEM	PART NUMBER	QTY	DESCRIPTION COMMENTS	TECHNICAL SPECIFICATION
1	117-8131	8	MOUNTING CAB	
2	400199X1	2	BOLT	
3	400200X1	2	BOLT	
4	9U-0512	4	WASHER	
5	CH144-2179	4	SLEEVE	
6	CH7X-0593	4	HARDENED WASHER	34MM X 57MM X 6MM

557005D1-2-AA756-



557005D1 - TRANSMISSION MOUNTING GROUP

ITEM	PART NUMBER	QTY	DESCRIPTION COMMENTS	TECHNICAL SPECIFICATION
1	400056X1	4	HEXAGONAL HEAD BOLT	M16 X 2 X 50MM, CL10.9
2	400206X1	4	HEXAGONAL HEAD BOLT	M20 X 2.5 X 140MM, CL10.9
3	400222X1	4	HEXAGONAL HEAD BOLT	M16 X 2.0 X 60MM 10.9
4	503404D1	1	BRACKET	
5	506312D1	8	MOUNT	
6	506313D1	8	WASHER	
7	506314D1	4	WASHER	
8	557006D1	1	MOUNTING BRACKET, LEFT HAND	
9	CH8T-4122	8	FLAT WASHER	17MM X 32MM X 3.5MM
10	CH8T-5439	4	FLAT WASHER	21.5MM ID X 45MM OD X 6MM